

Single-phase transformers with **UI** alternately stacked lamination are produced with electrical output power and dimensions according to table below. Voltage transfer 1-1000 V in any combination. Covering IP 00.

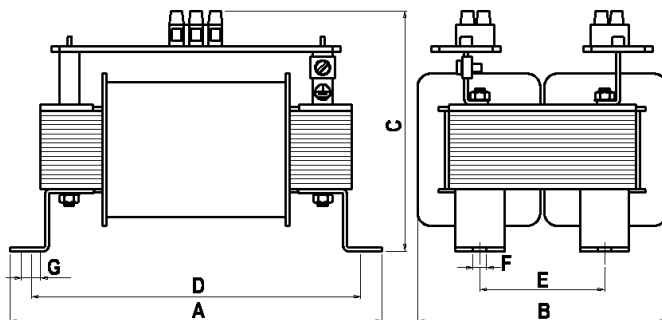
Type :

PS - base mounting brackets, terminal blocks

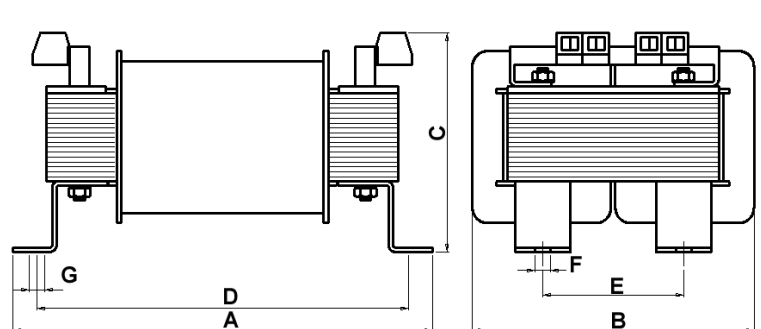
PW - base mounting brackets, terminal blocks like WAGO

Other variations are available upon discussion with the engineering department.

PS



PW



Type	Style	Dimensions [mm]						Rated output VA	Core c.s. area cm ²	Core size mm	Weight (informative) kg
		A	B	C	D	E	FxG				
U 2545	PS	166	100	135	132	50	7x18	300	10,80	125 x 75	3,60
	PW	166	100	99	132	50	7x18				
U 3232	PS	191	128	122	169	64	7x18	315	9,83	96 x 160	5,10
	PW	191	128	99	169	64	7x18				
U 3240	PS	191	128	130	169	64	7x18	500	12,30	96 x 160	5,90
	PW	191	128	107	169	64	7x18				
U 3250	PS	191	128	140	169	64	7x18	630	15,40	96 x 160	6,90
	PW	191	128	117	169	64	7x18				
U 3256	PS	191	128	146	169	64	7x18	630	17,30	96 x 160	7,10
	PW	191	128	123	169	64	7x18				
U 4040	PS	255	160	137	226	80	7x18	800	15,40	120 x 200	7,10
	PW	255	160	105	226	80	7x18				
U 4050	PS	255	160	147	226	80	7x18	1000*	19,20	120 x 200	11,50
	PW	255	160	115	226	80	7x18				
U 4056	PS	255	160	153	226	80	7x18	1000	21,42	120 x 200	12,90
	PW	255	160	122	226	80	7x18				
U 4066	PS	255	160	163	226	80	7x18	1200	26,20	120 x 200	15,10
	PW	255	160	132	226	80	7x18				

* Only general transfer