

1 SINGLE PHASE TRANSFORMERS EI – welded lamination



Single-phase transformers with EI welded lamination are produced with electrical output power and dimensions according to table below. Covering IP 00.

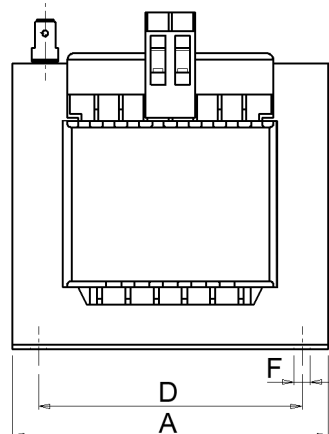
Type :

SR - terminals RKW14 or RKW 14 mini, safety isolating type – secondary terminals RKW 110

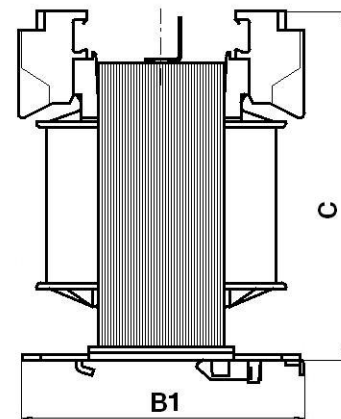
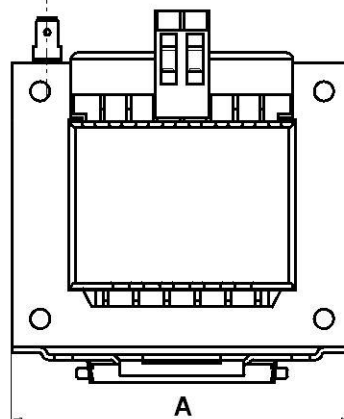
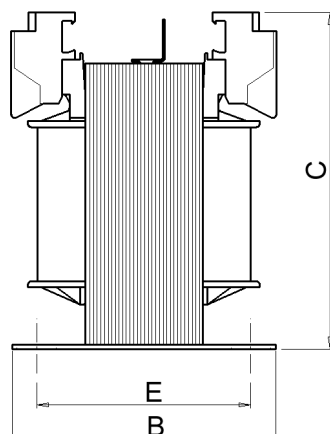
SR-DIN – with DIN holder, only up to type E 3260

Other variations are available upon discussion with the engineering department.

SR



SR-DIN



Type	Style	Dimensions [mm]							Rated output VA	Core c.s. area cm ²	Core size mm	Weight (informative) kg
		A	B	B1	C	D	E	F				
E 2020	SR, SR-DIN	60	55	78	70	50	43	4,3x6	16	4	60x50	0,56
E 2030	SR, SR-DIN	60	65	78	70	50	53	4,3x6	28	6	60x50	0,76
E 2520	SR, SR-DIN	75	65	78	82	64	43	4 x 10	30	5,00	75 x 62,5	0,90
E 2525	SR, SR-DIN	75	70	78	82	64	48	4 x 10	40	6,25	75 x 62,5	1,10
E 2532	SR, SR-DIN	75	77	78	82	64	55	4 x 10	65	8,00	75 x 62,5	1,30
E 2540	SR, SR-DIN	75	85	78	82	64	63	4 x 10	80	10,00	75 x 62,5	1,50
E 2843	SR, SR-DIN	84	74	78	90	64	61	4,5 x 9	100	12,04	84 x 70	2,06
E 2852	SR, SR-DIN	84	83	78	90	64	70	4,5 x 9	125	14,50	84 x 70	2,45
E 3236	SR, SR-DIN	96	80	78	97	80	65	5 x 12	150	11,42	96 X 80	2,20
E 3245	SR, SR-DIN	96	92	78	97	80	77	5 x 12	175	14,00	96 x 80	2,40
E 3250	SR, SR-DIN	96	97	78	97	80	82	5 x 12	190	15,40	96 X 80	3,15
E 3260	SR, SR-DIN	96	107	78	97	80	92	5 x 12	210	19,04	96 X 80	3,50
E 4040	SR	120	88	-	120	100	70	5 x 12	250	15,30	120 x 100	4,30
E 4050	SR	120	100	-	120	100	80	5 x 12	315	19,20	120 x 100	4,60
E 4060	SR	120	108	-	120	100	90	5 x 12	400	23,60	120 x 100	5,10
E 4070	SR	120	120	-	120	100	100	5 x 12	500	27,60	120 x 100	6,15



ELEKTROKOV, a.s. ZNOJMO

Kotkova 3582/19, 669 02 ZNOJMO, CR

tel.: +420 515 200 004-5, fax: +420 515 200 034

e-mail: obchodni@elektrokov.cz, <http://www.elektrokov.cz>

