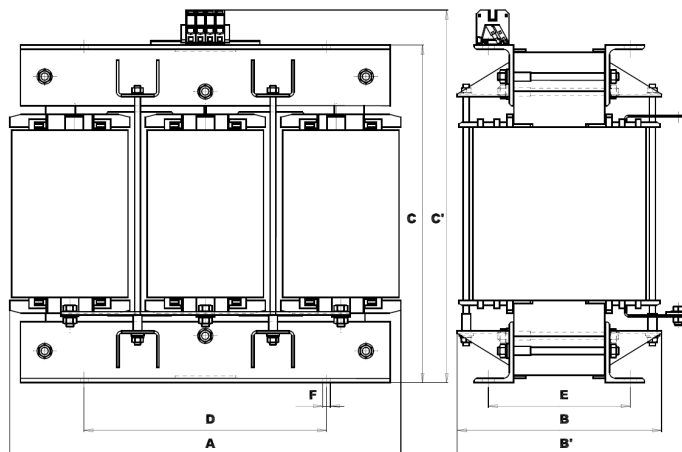


Three-phase transformers with UNICORE core are produced with electrical output power and dimensions according to table below. Voltage transfer 1-1000 V in any combination. Conductor connection: terminal block, screw contacts on board or copper flags (according of current). Covering IP00. In case of covering IP23 transformer is mounted in steel case.

Other variations are available upon discussion with the engineering department.

Merits of UNICORE transformers: smallish dimensions, lower no-load current and lower specific losses.



Type	Dimensions [mm]								Rated output kVA	Weight (informative) kg
	A	B	B'	C	C'	D	E	F(oval)		
3x7070	420	180	210	375	435	280	125	9x12	10	95
3x70103	420	210	240	375	435	280	155	9x12	15	130
3x70133	420	240	270	375	435	280	185	9x12	18	155
3x8080	485	218	248	435	490	356	157	13x20	20	150
3x80110	485	245	275	435	490	356	184	13x20	25	190
3x80140	485	275	305	435	490	356	214	13x20	30	220
3x10080	645	280	315	560	615	400	165	13x20	31,5	190
3x100100	645	300	335	560	615	400	185	13x20	40	230
3x100120	645	320	355	560	615	400	205	13x20	50	270
3x100140	645	340	375	560	615	400	225	13x20	55	290
3x100150	645	350	385	560	615	400	235	13x20	60	340
3x100160	645	360	395	560	615	400	245	13x20	70	360
3x100180	645	380	415	560	615	400	265	13x20	80	420
3x100200	645	400	435	560	615	400	285	13x20	90	450
3x100220	645	407	455	560	615	400	305	13x20	100	490
3x120100	812	296	405	690	760	480	202	13x20	100	480
3x120140	812	336	445	690	760	480	242	13x20	110	540
3x120160	812	356	465	690	760	480	262	13x20	120	510
3x120180	812	376	458	690	760	480	282	13x20	140	650
3x120220	812	416	525	690	760	480	322	13x20	160	720
3x120260	812	456	565	690	760	480	362	13x20	180	820