

Single-phase transformers with EI alternately stacked lamination are produced with electrical output power and dimensions according to table below. Voltage transfer 1-1000 V in any combination. Covering IP 00.

Type :

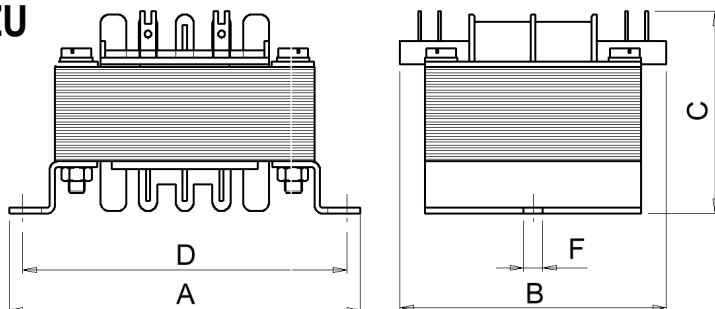
VO - built in transformer with tags

PJ - with fuse holder

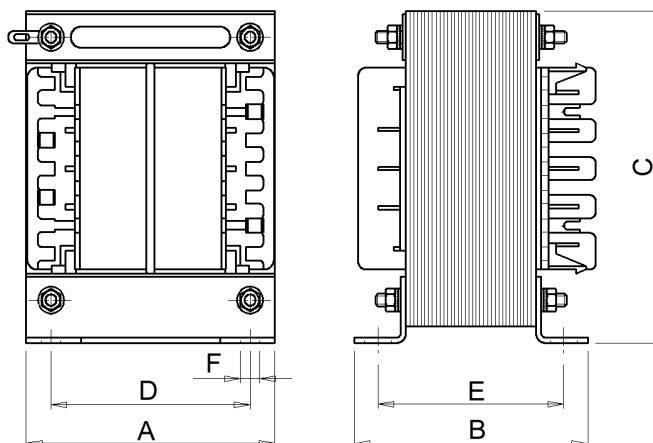
ZU - with Z mounting bracketed

Other variations are available upon discussion with the engineering department.

ZU



VO



PJ Type VO with fuse holder

Type	Style	Dimensions [mm]						Rated output VA	Core c.s. area cm ²	Core size mm	Weight (informative) kg
		A	B	C	D	E	F				
E 1616	ZU	70	50	39	60	in axis	3,2	8	2,43	40 x 48	0,26
E 1620	ZU	70	50	43	60	in axis	3,2	10	3,07	40 x 48	0,32
	VO	48	43	42	40	26	3,2				
E 2020	VO	57	53	64	29	35	4,5	12	4,12	50 x 60	0,46
	PJ	57	60	64	29	35	4,5				
E 2025	VO	57	58	64	29	40	4,5	20	4,80	50 x 60	0,59
	PJ	57	65	64	29	40	4,5				
E 2030	VO	57	63	64	29	45	4,5	30	5,90	50 x 60	0,72
	PJ	57	70	64	29	45	4,5				
E 2520	VO	67	50	79	50	37	4,5	25	5,12	62,5 x 75	1,05
	PJ	67	52	79	50	37	4,5				
E 2525	VO	67	55	79	50	42	4,5	32	6,38	62,5 x 75	1,18
	PJ	67	57		50	42	4,5				
E 2532	VO	67	62	79	50	49	4,5	50	7,88	62,5 x 75	1,30
	PJ	67	64	79	50	49	4,5				
E 2540	VO	67	70	79	50	57	4,5	60	10,13	62,5 x 75	1,45
	PJ	67	72	79	50	57					
E 3236	VO	81	71	102	64	52	5,2	100	11,42	96 x 80	2,36
	PJ	81	73	102	64	52	5,2				
E 3246	VO	81	82	102	64	62	5,2	115	14,59	96 x 80	2,70
	PJ	81	85	102	64	62	5,2				
E 3260	VO	81	96	102	64	76	5,2	130	19,04	96 x 80	3,15
	PJ	81	98	102	64	76	5,2				